

Technical Data Sheet

Product: AA123



THE EDGE
ON SAFETY

DESCRIPTION

Natural Satin Anodised Aluminium Long Front Square Single Stairnosing Profile designed for carpet. This product has been designed with a built in packer and carpet gripper to simplify installation with direct stick carpets. The profile has a 47mm right angle drop riser and is suitable for interior and exterior uses.

MATERIAL

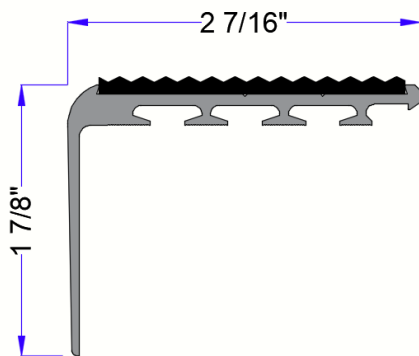
T6 6063 Alloy aluminium - Natural Satin anodised.

Standard 3.66 Meter Lengths.

1 x 53mm Tredsafe Insert.

Supplied pre drilled for countersunk screw fixing (screws supplied). Tredlock adhesive can be used in conjunction.

DIMENSIONS



EXAMPLE

In this example, AA123 has been installed with 2mm carpet butting up to the end of the profile. This installation has used slip resistant Tredsafe Diamondtred insert for safety, which meets standards of AS/NZS 3661.1:1991 and NZS 4586:2013.



For PDF and CAD drawings with full dimensions and installation guides, please refer to our website www.tredsafe.co.nz

Release: January 2019

Information given in this data sheet is based on the current state of knowledge. This does not exempt the purchaser from carrying out his own careful inspections of incoming goods and their suitability for local building codes. We reserve the right to make changes to the product data in the course of technical progress or due to operationally related further development. Owing to factors beyond our control during application, recommendations given in this data sheet require tests and experiments by the customer. Our recommendations do not exempt the customer from the obligation to check any infringements of third-party rights himself and eliminate them if necessary. The suggestions for product use are not equivalent to a warranty of its suitability for the recommended purpose.

Each new release of this data sheet supersedes the previous one.