

Technical Data Sheet

Product: EL165



THE EDGE
ON SAFETY

DESCRIPTION

The most compact aesthetic illuminated nosing available. Used extensively in University lecture theatres, restaurants, cinemas and clubs. Surface mounted LEDs available in a variety of colours.

PURPOSE

We have manufactured this stairnosing product with a built in packer to simplify installation with direct stick carpets. It can also be used in a recessed step or with a packer for higher floor coverings. LED lights illuminate the step edge in dark areas or liven up an ordinary installation.

MATERIAL

Clear Rigid PVC. Suitable for interior use only.

Standard 3.66 Metre Lengths.

1 x 43mm Tredsafe Insert.

Supplied pre drilled for countersunk screw fixing (screws supplied).

LED COLOURS

Single Colour

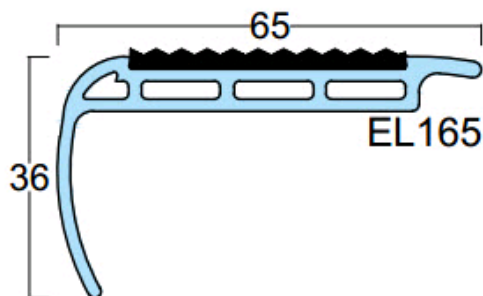


Multi-Colour

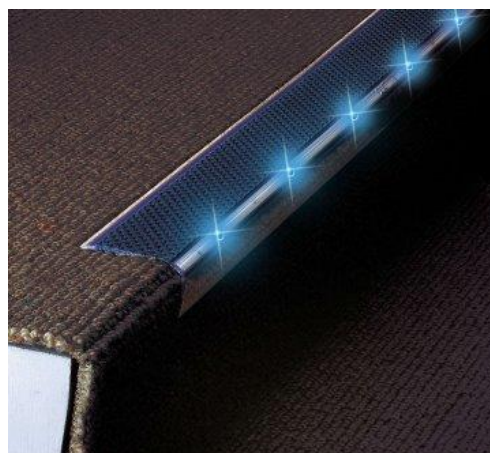
RGB. All colour options within the colour line.
Remote or wall mounted colour wheel can be added.



DIMENSIONS



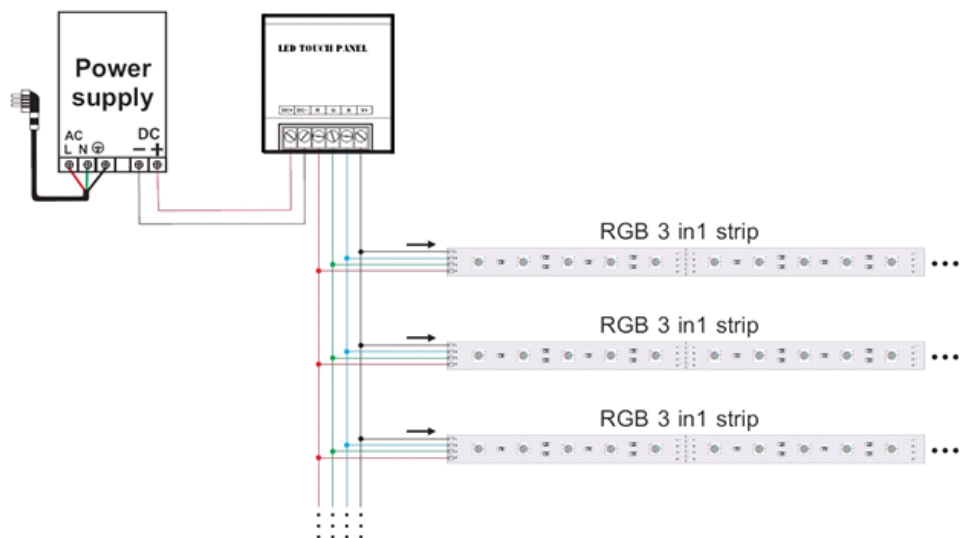
For PDF and CAD drawings with full dimensions please refer to our website www.tredsafe.co.nz



HOW TO INSTALL

The nosings are supplied with the LEDs pre-installed with 200mm wiring at one end. The nosing should be screwed to the step surface (5 screws per metre) once carpet has been installed and when an electrician is present to wire to the power supply. An additional packer can be used for alternative flooring materials. Once the profile is installed, ensure the insert channel is clean from dust, residues and debris. Pre-cut the insert to your required length. Remove the adhesive backing liner. Place the insert into the nosing and press into place without undue stretching. One in place, roll over the insert to ensure consistent adhesion and a secure bond.

WIRING



MAINTENANCE

Tredsafe Insert is produced with a polyurethane coating which reduces dirt retention. The three dimensional pyramid pattern which provides excellent slip resistance in the wet will require more care than a smooth flooring surface. As with any flooring, regular maintenance is important to prevent excessive soiling. Cleaning is best achieved by scrubbing with a bristle brush in conjunction with warm soapy water. Commercial cleaning machines such as the "Scrub-Vac" are also suitable.

SLIP RESISTANCE

AS/NZS 4586 - 2013

Wet Pendulum – mean 47 – class P4

Wet/Barefoot ramp – Result 30° – class C

Dry Floor – mean 0.75 – class D1

Oil – Wet Ramp – Result 21° – class R11

FLAMMABILITY & SMOKE DENSITY

AS1530.3.1982

Flame Spread = 0 Smoke Dev = 7

AS/ISO 9239.1 2010

Mean Critical radiant flux 10.3kw/m²

Mean smoke development rate 85 percentage minutes

Release: November 2018

Information given in this data sheet is based on the current state of knowledge. This does not exempt the purchaser from carrying out his own careful inspections of incoming goods and their suitability for local building codes. We reserve the right to make changes to the product data in the course of technical progress or due to operationally related further development. Owing to factors beyond our control during application, recommendations given in this data sheet require tests and experiments by the customer. Our recommendations do not exempt the customer from the obligation to check any infringements of third-party rights himself and eliminate them if necessary. The suggestions for product use are not equivalent to a warranty of its suitability for the recommended purpose.

Each new release of this data sheet supersedes the previous one.

